

TECHNICAL SCHEDULE

Glass Design

Code: ICEOV

Article: Ice Oval Lux
Category: Countertop washbasin
Material: Cristallo DE' MEDICI
Overflow: No
Washbasin weight: kg ±6,40



Countertop washbasin fashioned from crystal 24% lead content, hand-bevelled. Equipped with free flow waste and base ring, already assembled.

Gold/Gold
ICEOVGDF3



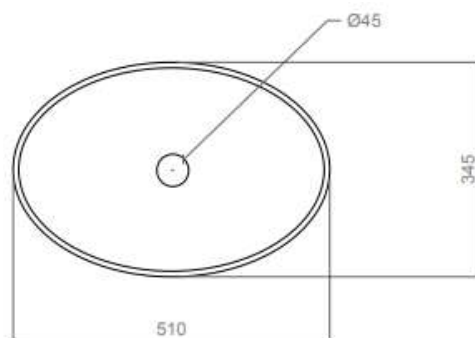
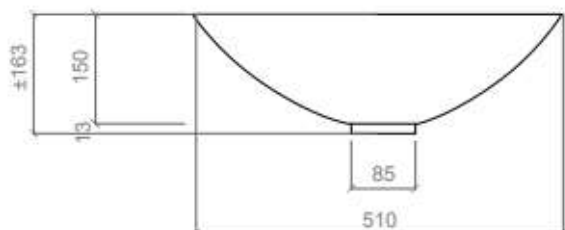
Silver/Chrome
ICEOVSLF4



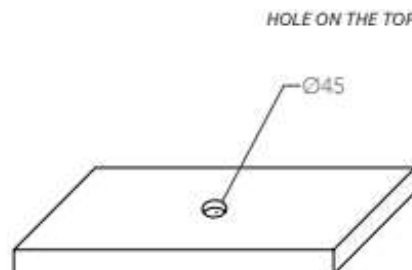
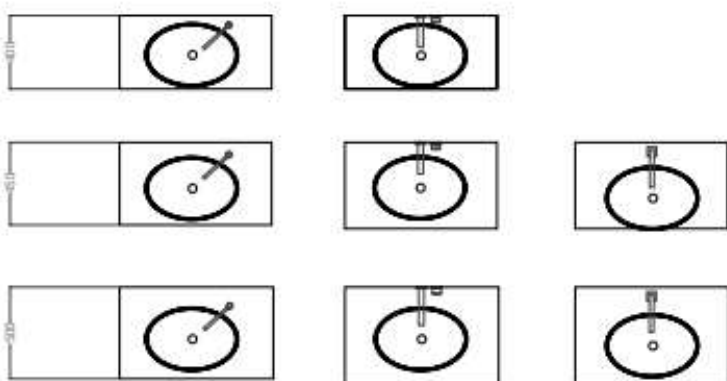
Gold/Chrome
ICEGDF4



Additional Colour options available
 Please ask your Metrix representative
 or visit Glass Design Website
www.glassdesign.it



TAP AND SINK POSITIONING



Inspirational + European + Bathroomware